



DSSTech

IDEE E PRODOTTI ITALIANI ■ ■

Bottle wrapping machines

BPR SERIES

Customized solutions

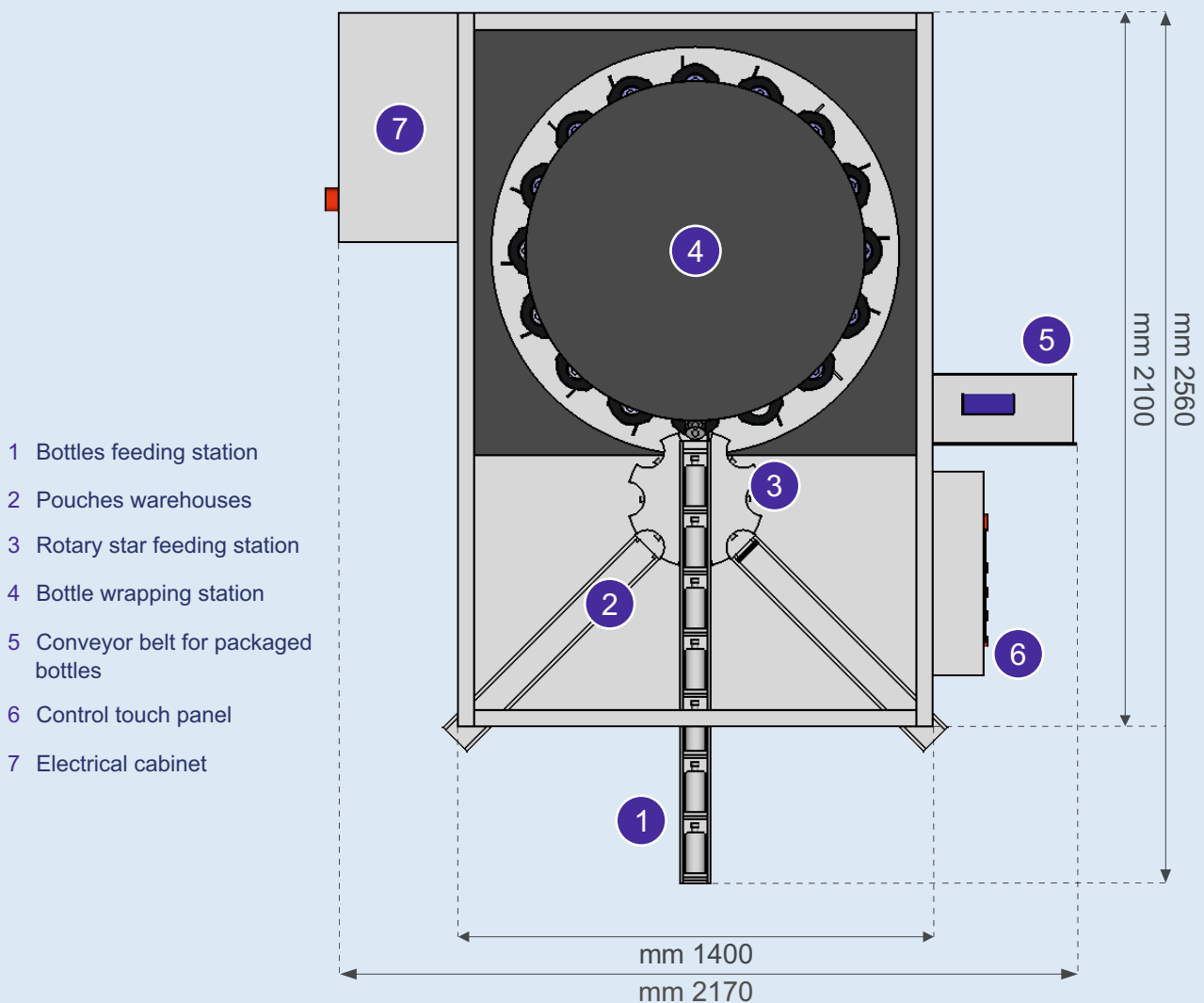


SERIES BPR SERIES

Bottle wrapping machines BPR SERIES

Dimensions and legend

H = mm 1980



DSSTech srl
No reproduction, even partial

Dimensions may vary and are not binding

SERIES BPR SERIES

The **BPR** is a star rotary wrapping machine for high speeds composed of a main rotary table, driven by a brushless motor on which many fully equipped stations are installed, a rotary table for feeding the "pouches" and a motorized belt conveyor for bottle feeding.

TECHNICAL FEATURES

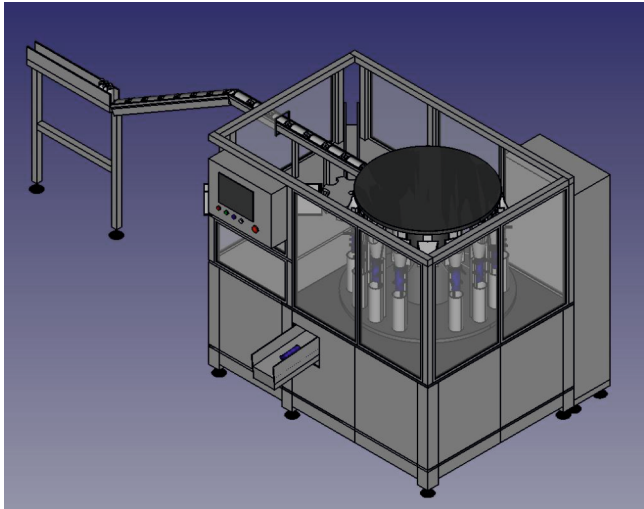
The BPR is equipped with a control panel including:

- SIEMENS PLC S7
- 12" color touch-screen
- remote assistance
- servo drivers
- inverters
- all the necessary instrumentations to ensure the machine control and safety.

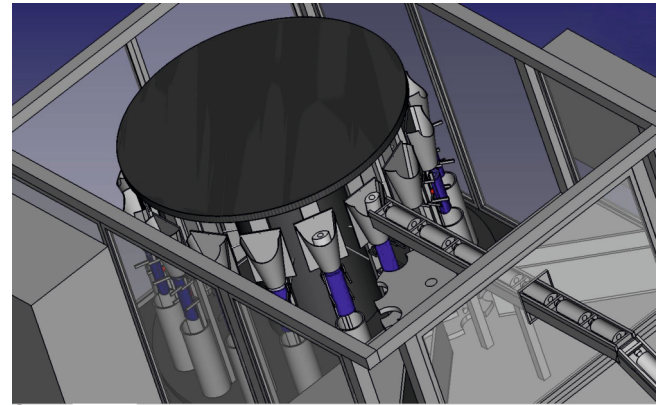
The machine is installed on a stainless-steel structure and is equipped with guards with an anodized aluminum and plexiglass structure; all sliding openings are equipped with special safety devices as required by the regulations in force on the subject.

OPTIONALS

Motorized conveyor belts at the BPR inlet and outlet.



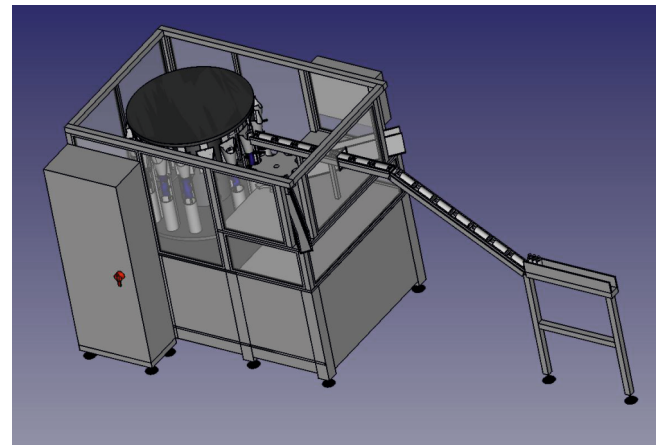
- **DSSTech** produces innovative automatic machines for wrapping glass bottles for wine, beer, oil and other alimentary liquids.
- Our prerogative is to provide our customers with an "ad hoc solution" that adapts to their marketing choices.
- Each machine has its own standard configuration both in terms of accessories and layout; on request, customer-specific solutions can be introduced.



Series	Model	Bottles/hour **
BPR	4-1000	Up to 4000
BPR	8-1000	Up to 8000
BPR	12-1000	Up to 12000

* The weight of the paper used to wrap the bottle can affect the performance of the BPR.

** The number of bottles / hour depends on the format and shape of the bottle, as well as on the type of paper used for the wrapping and the accessories and services supplied with the BPR. Different types of bottle format must be evaluated in the offer phase.



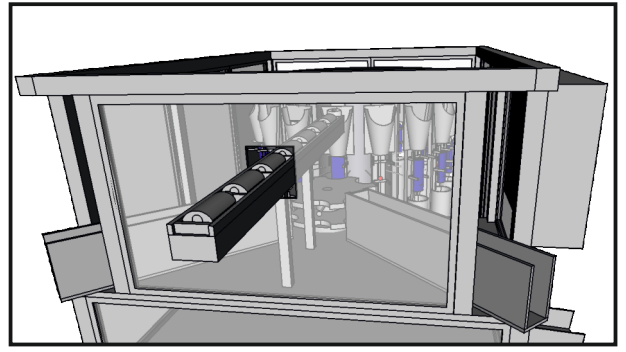
Italian Technology

SERIES BPR SERIES

SERIES BPR SERIES

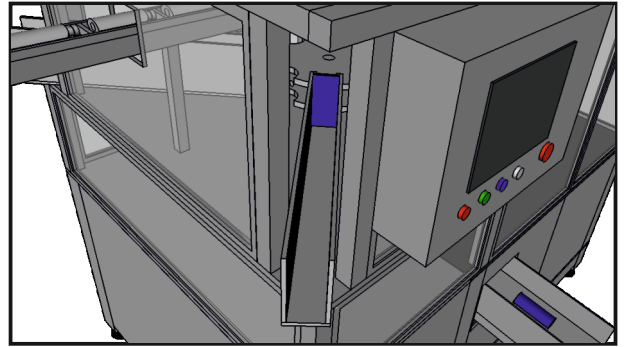
1 BOTTLE FEEDING STATION

BPR is equipped with a bottle feeding station, consisting of a motorized feeding belt that picks up the bottles from the outside feeding belt and unloads them directly on a conveyor placed above each of the «fully equipped stations».



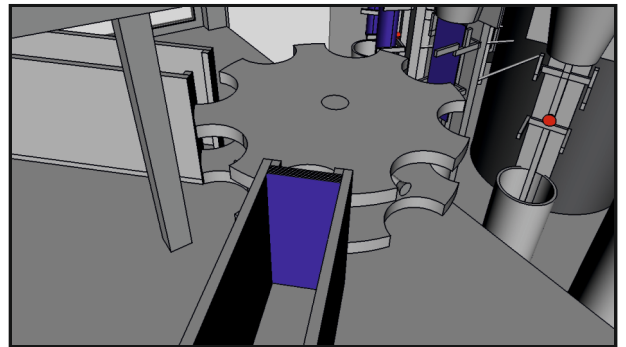
2 POUCHES WAREHOUSES

BPR is equipped with 2 pouches warehouses, one of which is in stand-by and which must be loaded manually by an operator at alternate times; each warehouse is calculated to have an autonomy of about 10 minutes so that the bag will be picked up at alternate times from one or the other warehouse.



3 ROTARY STAR FEEDING STATION

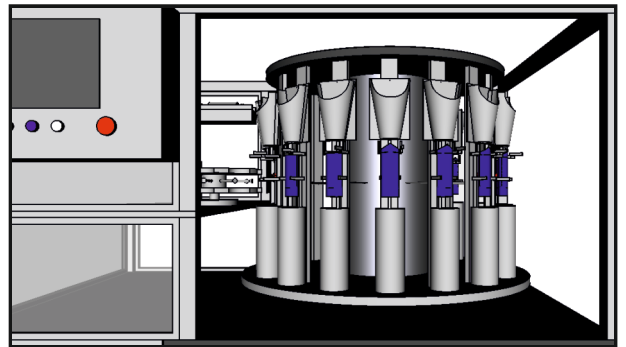
This station picks up the pouch from the warehouse by means of special air suckers and deposits it in the bottle wrapping station, ready to be used.



4 BOTTLE WRAPPING STATION

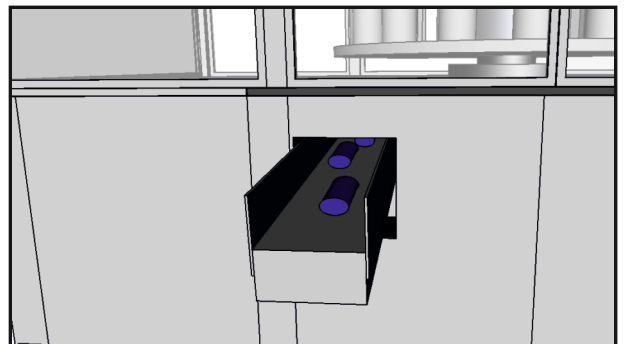
Wrapping station consisting of a rotating table operated by a brushless gearmotor on which the “fully equipped” stations are housed; fully equipped because each station is equipped with all the services necessary to perform the operations in order to obtain the packaged bottle:

- Suction cup group for pouch gripping from station 3
- Bottle feeding group
- Bottle gripper group
- Group pliers closing the pouch upper part
- Dosing glue system

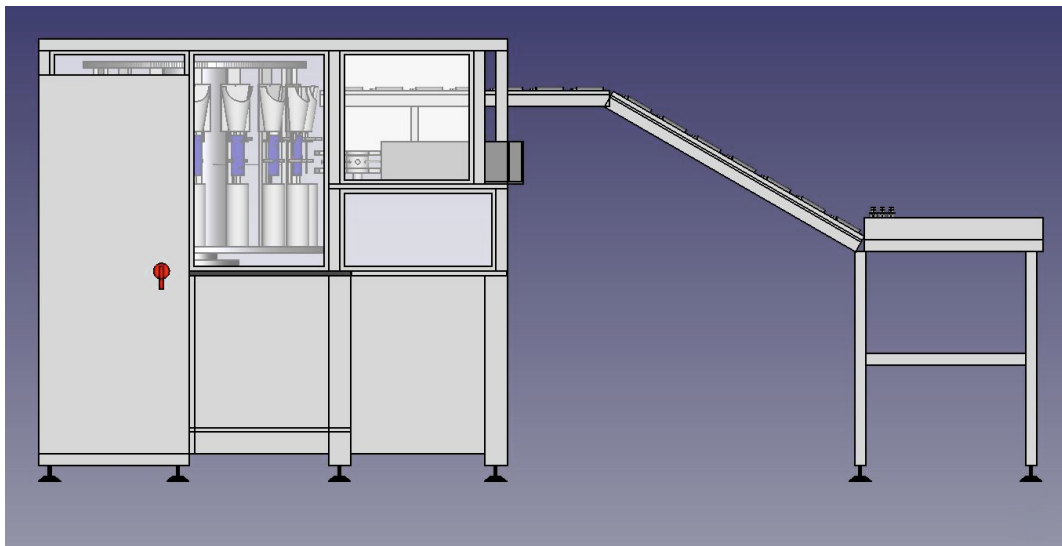
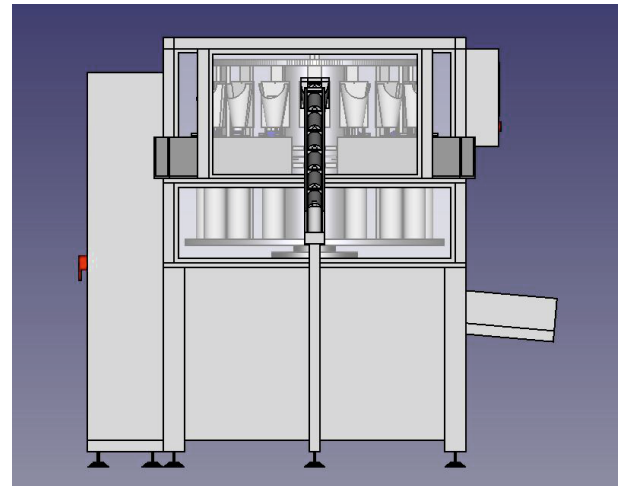
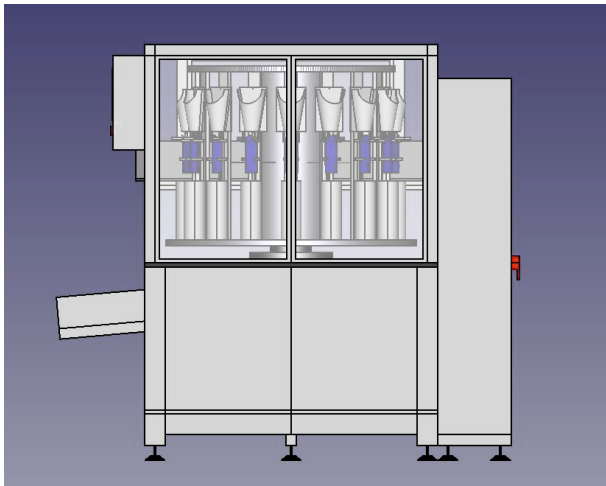
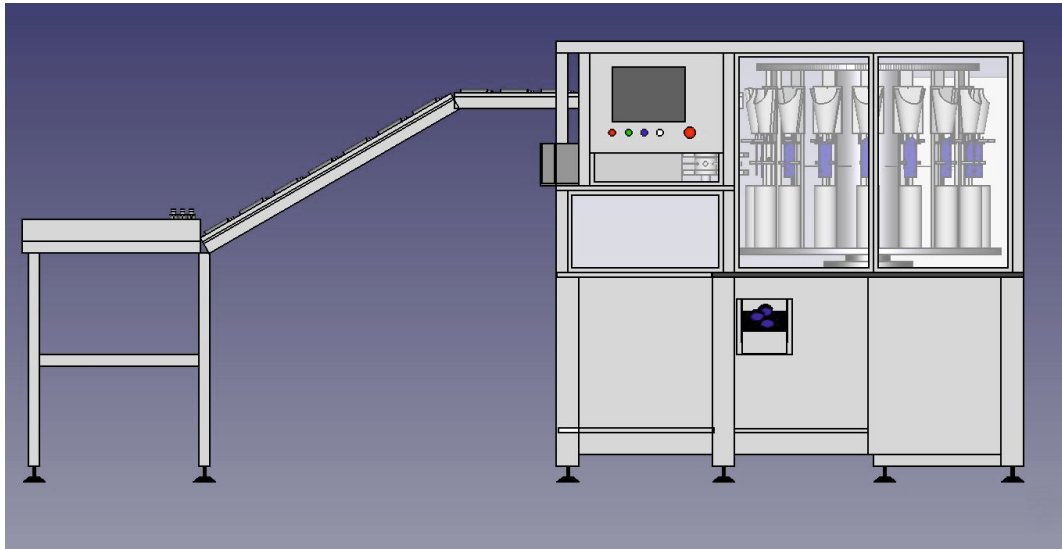


5 CONVEYOR BELT FOR PACKAGED BOTTLES

Motorized conveyor belt for the packaged bottle at the BPR exit.



SERIES BPR SERIES



SERIES BPR SERIES

«My today's quality
guarantees my tomorrow's work»



www.dsstechautomation.com



N°3143



N°IT-28601



DSSTech srl

Via dell'Artigianato 3, Malo (VI) - Tel: +39 0445 637541 - E-mail: info@dsstech.it - P.IVA: IT 04118980244